

Offset Strainer

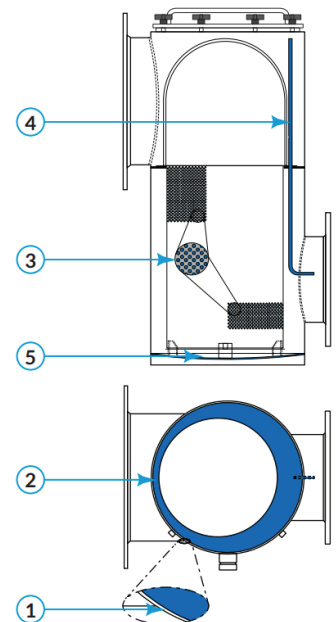
Paddocks strainer is rich with features making it the best on the market. Fabricated from Type 304L stainless steel construction of both strainer and basket ensure it will be protecting your filtration system for years to come.

Paddock's strainers are designed for superior flow and less pressure drop by offsetting the strainer basket. This feature allows for larger volumes of effluent water to the pump even under heavy basket loading from debris.

Features & Benefits

- Machined lids to eliminate sharp edges and 1/2" stainless steel cover ring with clear view port
- Sealed with 1/4" diameter rubber O-ring gasket
- Locking assemblies permit easy access and closing without use of tools
- Stainless steel drain and vacuum couplings with threaded plugs
- Threaded pipe gauge connections
- System designed for 60 PSI working pressure
- Extra strainer basket is included

- 1 Stainless steel construction, type 304, 1/8" material thickness
- 2 Offset strainer basket design
- 3 Perforated basket is constructed of 18-gauge stainless steel type 304 with a 52% open area and 1/8" diameter perforated holes
- 4 An internal air bleed tube removes air build up without an external air relief
- 5 Domed bottom dissipates water hammer more effectively, decreasing the force of impact on other components



STR-304-OS-04-03

Strainer Material Offset Inlet Outlet

PN #'s	Strainer Size	Inlet Size	Outlet Size	Open Area (in ²)	Ratio	Ratio (lbs.)
STR-304-OS-04-03	4X3	4"	3"	11.5 IN ²	20.6:1	191.3
STR-304-OS-04-04	4X4	4"	4"	11.5 IN ²	20.6:1	191.7
STR-304-OS-06-03	6X3	6"	3"	26.07 IN ²	9.16:1	192.5
STR-304-OS-06-04	6X4	6"	4"	26.07 IN ²	9.16:1	193.0
STR-304-OS-06-05	6X5	6"	5"	26.07 IN ²	9.16:1	193.07
STR-304-OS-06-06	6X6	6"	6"	26.07 IN ²	9.16:1	194.2
STR-304-OS-08-04	8X4	8"	4"	45.7 IN ²	5.22:1	194.3
STR-304-OS-08-05	8X5	8"	5"	45.7 IN ²	5.22:1	195.1
STR-304-OS-08-06	8X6	8"	6"	45.7 IN ²	5.22:1	195.6
STR-304-OS-08-08	8X8	8"	8"	45.7 IN ²	5.22:1	496.9
STR-304-OS-10-05	10X5	10"	5"	71.8 IN ²	5.66:1	299.4
STR-304-OS-10-06	10X6	10"	6'	71.8 IN ²	5.66:1	299.9
STR-304-OS-10-08	10X8	10"	8'	71.8 IN ²	5.66:1	301.2
STR-304-OS-10-10	10X10	10"	10'	71.8 IN ²	5.66:1	303.0
STR-304-OS-12-05	12X5	12"	5"	101.64 IN ²	4:01	309.5
STR-304-OS-12-06	12X6	12"	6'	101.64 IN ²	4:01	310.0
STR-304-OS-12-08	12X8	12"	8'	101.64 IN ²	4:01	311.4
STR-304-OS-12-10	12X10	12"	10'	101.64 IN ²	4:01	313.2
STR-304-OS-12-12	12X12	12"	12"	101.64 IN ²	4:01	315.0
STR-304-OS-14-08	14X8	14"	8"	122.7 IN ²	5.24:1	307.2
STR-304-OS-14-10	14X10	14"	10"	122.7 IN ²	5.24:1	309.0
STR-304-OS-14-12	14X12	14"	12"	122.7 IN ²	5.24:1	310.8
STR-304-OS-14-14	14X14	14"	14"	122.7 IN ²	5.24:1	315.0
STR-304-OS-16-08	16X8	16"	8"	160.92 IN ²	4:01	309.0
STR-304-OS-16-10	16X10	16"	10"	160.92 IN ²	4:01	310.8
STR-304-OS-16-12	16X12	16"	12"	160.92 IN ²	4:01	312.6
STR-304-OS-16-14	16X14	16"	14"	160.92 IN ²	4:01	316.8
STR-304-OS-16-16	16X16	16"	16"	160.92 IN ²	4:01	318.6

